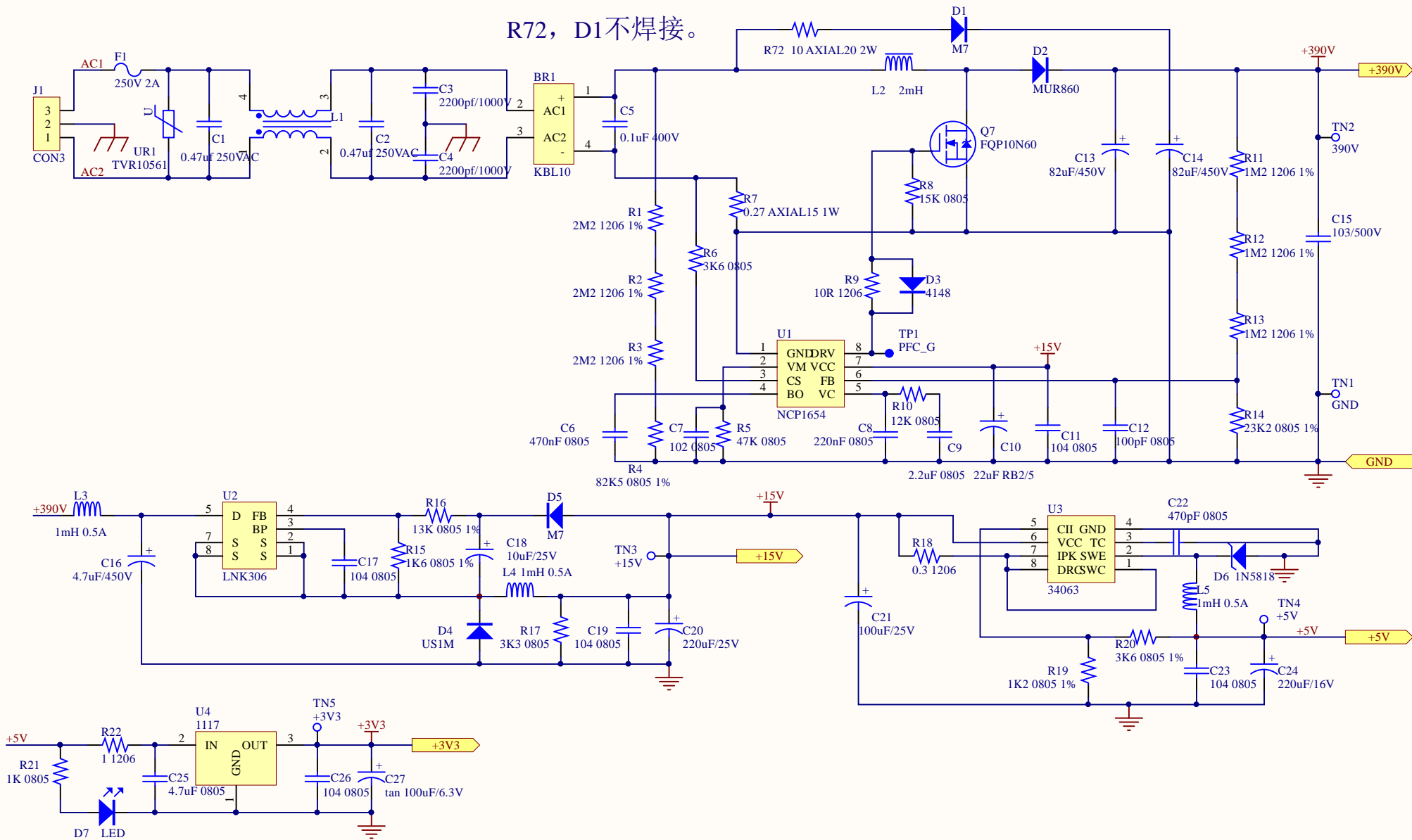


R72, D1不焊接。



Title			Sch_cata_v0.2b_power		
Size	Number		Revision		
A4			v0.2b		
Date:	2020/4/27		Sheet	of	
File:	C:\Users\Lenovo\Desktop\PFC原理图		Drawn By:	jason xu	

Comment	Description	Designator	Footprint	LibRef	Quantity
---------	-------------	------------	-----------	--------	----------